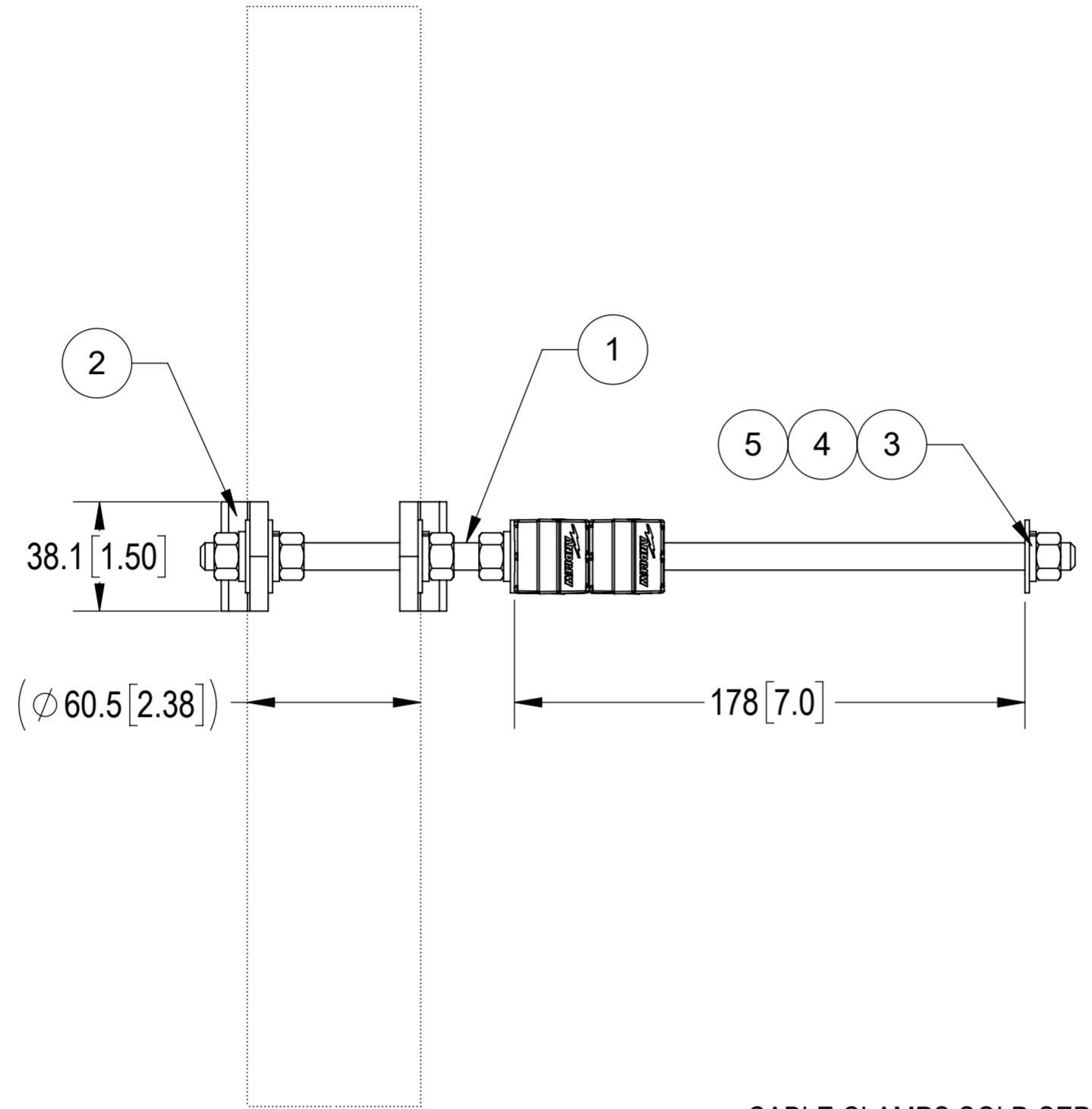
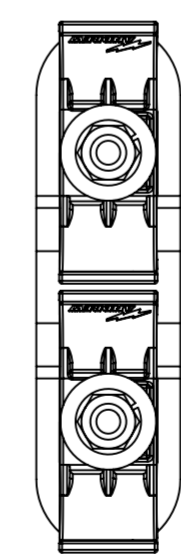
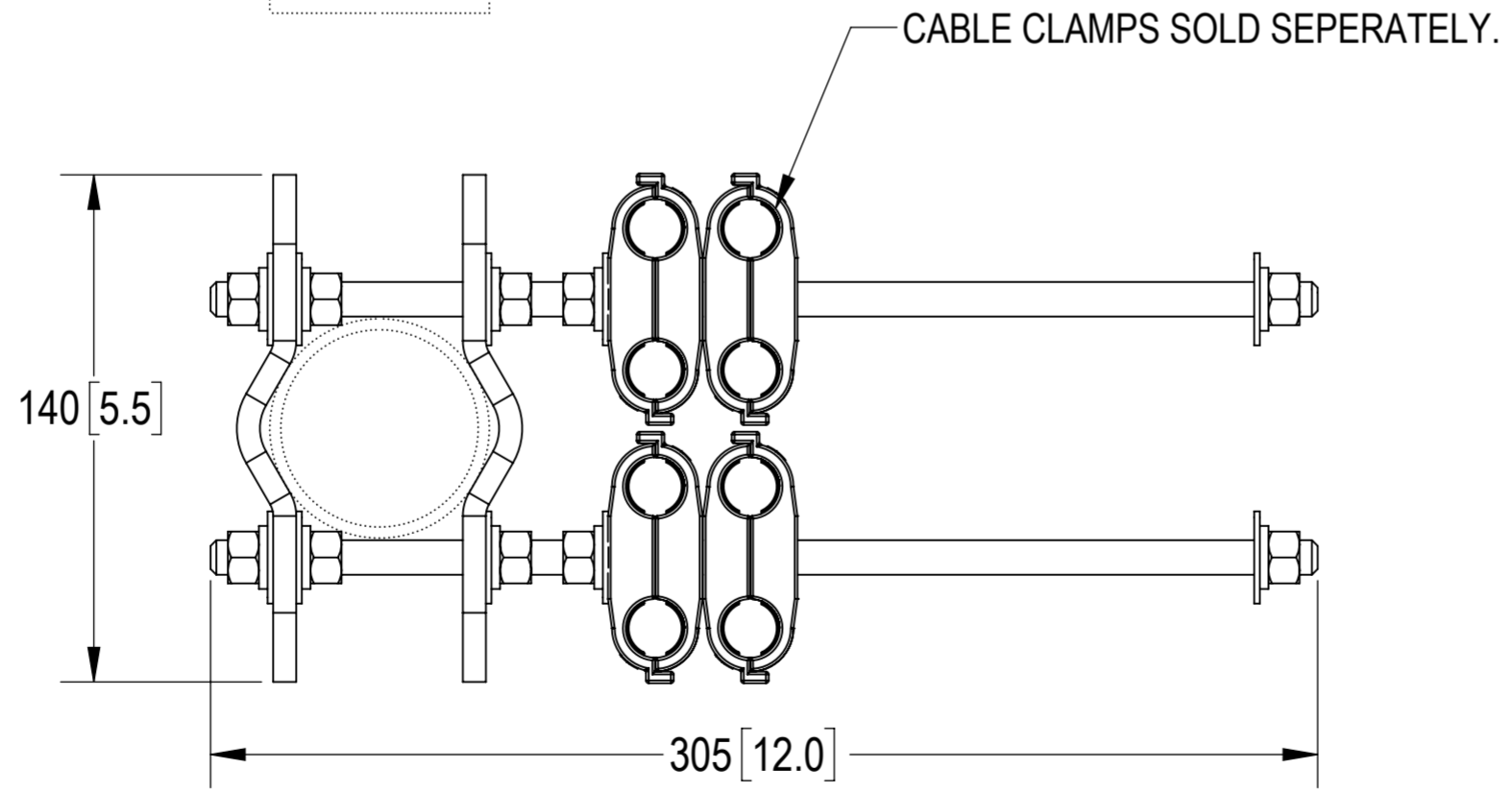
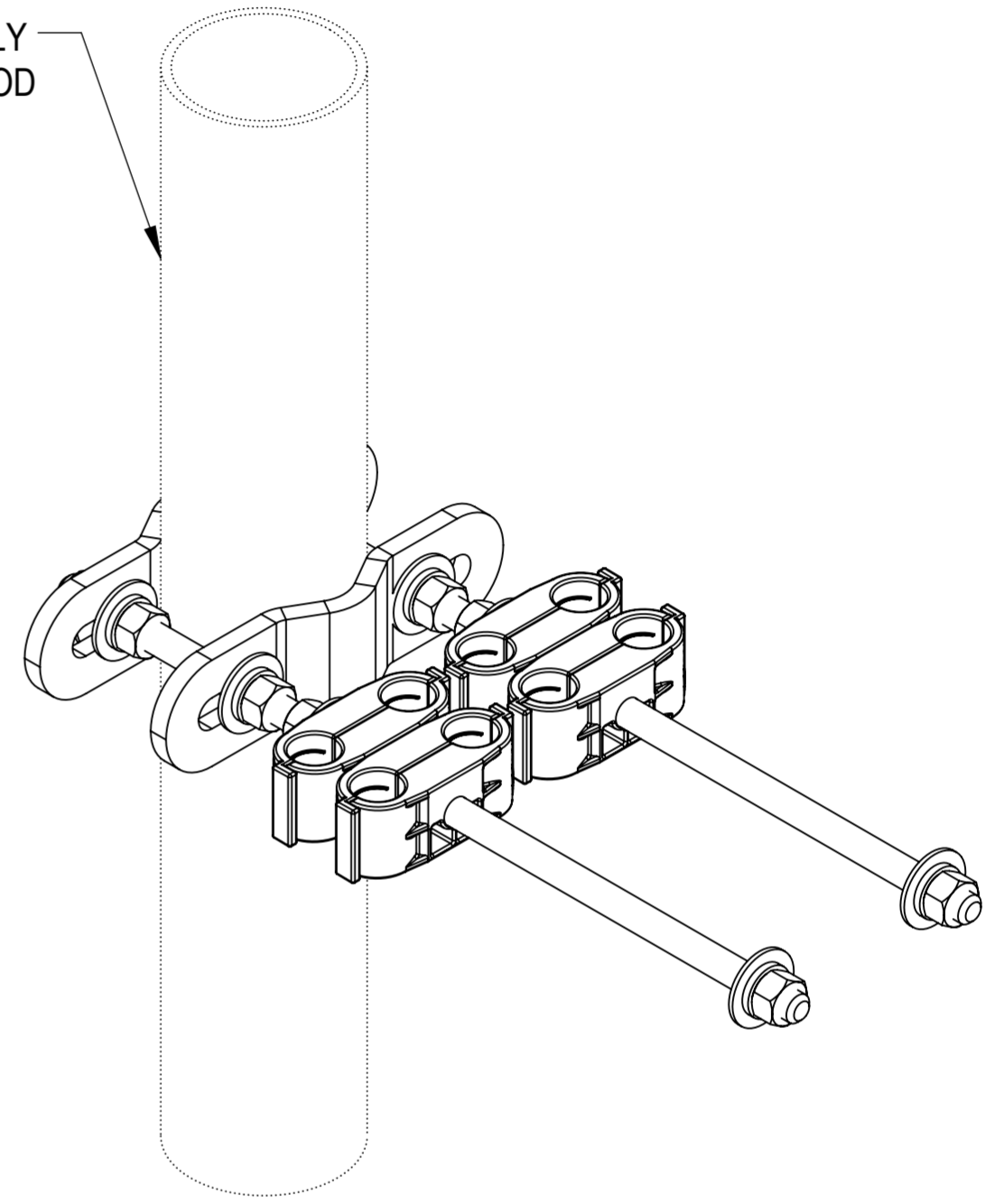


- 1.0 GENERAL NOTES
 1.1 ALL IMPERIAL DIMENSIONS ARE IN BRACKETS [X.XX]
 1.2 FOR PATENTS, SEE WWW.CS-PAT.COM
 2.0 DESIGN NOTES
 3.0 MANUFACTURING/SPECIAL REQUIREMENTS
 4.0 TEST
 5.0 PACKAGING
 5.1 PACKAGING SHALL MEET COMMSCOPE REQUIRMENTS PER DOCUMENT IS-PL-3005

REVISIONS			
REV.	DESCRIPTION	BY	DATE
A	INITIAL RELEASE	RD1048 11AUG18	BCROSS 8000032489
B	UPDATED PATENT NOTICE	ES1081 04/02/19	BCROSS 8000034780
D	CHANGED HARDWARE FROM STAINLESS STEEL TO GALVANIZED STEEL	HW1041 17AUG2021	BCROSS 14522
E	UPDATE MODEL	LS1146 4JUL2022	BCROSS 40145972CMO



PIPE SOLD SEPARATELY
 60.5 - 88.9[2.38" - 3.5"] OD



COMPONENT PART NUMBERS PROVIDED FOR ASSEMBLY PURPOSES;
 INDIVIDUAL COMPONENTS MAY BE SHIPPED AS PARTS WITHIN AN INCLUDED KIT.

ITEM	PART NO.	DESCRIPTION	QTY.	NOTE NO.
1	MT-377	3/8" x 12" GALV THREADED ROD	2	
2	ACP1038	1.5" - 3.5" O.D. HALF CLAMP	2	
3	GWL-03	3/8" GALV LOCK WASHER	10	
4	GN-03	3/8" GALV HEX NUT	10	
5	GWF-03	3/8" GALV FLAT WASHER	10	

DENSITY	0.01	g/mm ³
MASS	2620	grams
VOLUME	412880.64	mm ³
SURFACE AREA	267677.23	mm ²
HEIGHT	38.1[1.50]	
LENGTH	305[12.0]	
WIDTH	140[5.5]	

COMMSCOPE, INC. OF NORTH CAROLINA

TOLERANCES
 0 PLACE X[.X] ± 3[0.1] 2 PLACE .XX[.XXX] ± 0.76[0.030]
 1 PLACE .X[.XX] ± 1.5[0.06] ANGLES ± 1°

SAP MATERIAL MASTER
PG-RMBH12

FINISH: GALV A123 MATERIAL: SEE BOM

REV.	NAME	DATE	TITLE
CE	RD1048	11/08/18	PEM GUARD RND MMBR BLOCK HANGER 12 CABLE
RW	YMENG	07/06/2022	
AD	BCROSS	07/06/2022	
RE	YMENG	07/10/2022	

ECN 40145972CMO

SCALE: 1:2 DOCUMENT NO. **PG-RMBH12**

SIZE	Auth Group	INSL	MODEL	DRAWING			SHEET	
			VERSION	STATUS	REVISION	VERSION	STATUS	REVISION
A2			03	RE	D	04	RE	E

1 OF 1